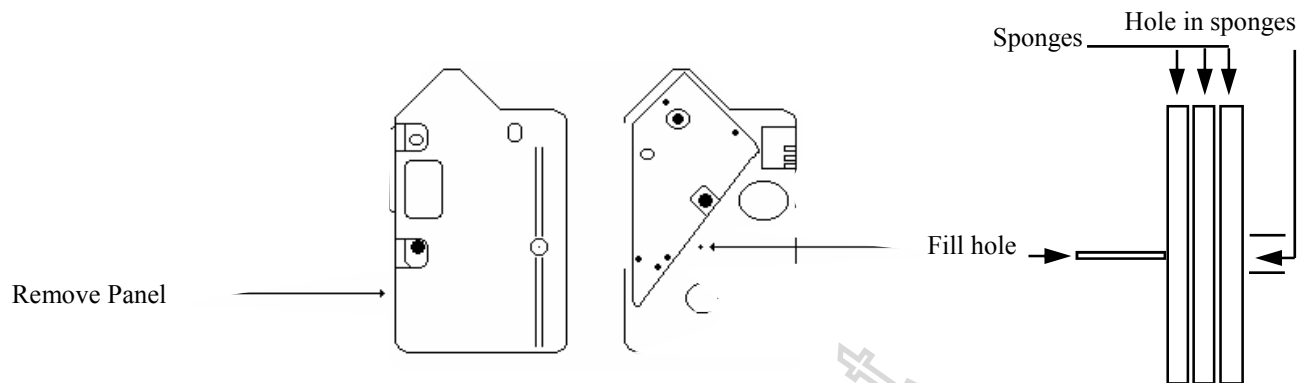


Cartridge:	8R7638,CJ-300	Cartridge Wt. New:	Approx. 139 g
OEM:	Xerox, C.Itoh	Printer:	3000,4003,4004, DWC 150, 250, 450, C8,Speedjet
Printhead Location:	Cartridge	Cartridge Type:	Sponge
Reliability:	****	Skill Level:	Average



© Ausjet Ink Jet Supplies and Service Pty Ltd

Fig. 2.81

Fig.

Fig. 2.82 Schematic of inside of cartridge from fill hole (side view)

COMMENTS

The cartridge is an all in one unit with a printhead. Easy to refill and generally no trouble whatsoever.

REQUIREMENTS

- ◆ 35 ml Black Ink
- ◆ 50 ml syringe with 18g blunt needle
- ◆ small flat screwdriver
- ◆ super glue or hot glue gun

REFILLING METHOD

STEP 1.

Remove right hand side panel by prying gently around the edges with the screwdriver, until the panel comes loose. (See Fig. 2.81)

STEP 2.

Attach the needle to the syringe and draw 35 ml of ink into it. Place the cartridge on some newspaper in case of spillage.

STEP 3.

Insert the needle into the hole located in the centre of the side you just removed the panel from. Inject the ink directly into this hole.

STEP 4.

Do not tape over the hole. Secure the side panel onto the cartridge with a dab of glue on each inside corner.