

Cartridge:	M40	Cartridge Wt. New:	M40 52 g
OEM:	Samsung	Printer:	SF 330/ SF 335T/ SF331P
Printhead Location:	Cartridge	Cartridge Type:	Sponge
Reliability:	***	Skill Level:	Average

Fill here (vent hole)

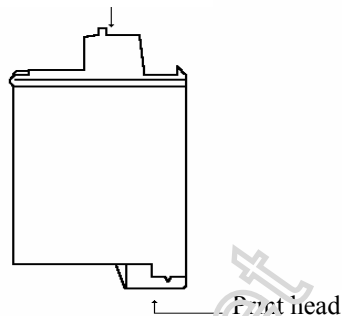


Fig. 2.73

© Ausjet Ink Jet Supplies and Service Pty Ltd

COMMENTS

The Samsung M40 cartridge is a black sponge filled cartridge manufactured by Lexmark. Sponge is prone to drying out which may cause it to accept less ink than stated. There is a filter under the sponge which blocks up. This filter can be cleaned by removing the sponge and washing the filter with a few ml of distilled water. Easy cartridge to refill.

REQUIREMENTS

- ◆ M40: 20-30 ml Appropriate Black Pigment (Dye may be used)
- ◆ 50 ml syringe with sharp needle
- ◆ small drill
- ◆ Head sealing tape and or cartridge clip.
- ◆ HSC1000 high speed cleaning solution or steam for improved results.

REFILLING METHOD

STEP 1.

Wipe the printhead with a clean dry tissue to remove old ink.

STEP 2.

Enlarge the vent hole (see Fig. 2.73) enough to fit a syringe needle.

STEP 3.

Fill syringe with 30 ml ink and insert through central hole into sponge as far as it will go. Inject ink slowly into the Cartridge making sure the needle is sitting on the bottom of the cartridge. The cartridge may not accept more than 15-20 ml of ink. Sit cartridge on paper towel after filling to absorb any drips.

STEP 4.

Use the Ausjet priming tool to remove air locks and prime the cartridge. And then do a DAB test. Place in the printer and run 2-3 cleaning cycles.

STEP 5.

If not printing correctly Soak print head in HSC1000 for 10-20 mins or gently apply steam to remove dried ink from the print head. If ink is not flowing after this procedure than remove sponge and clean filter then repeat step 4.