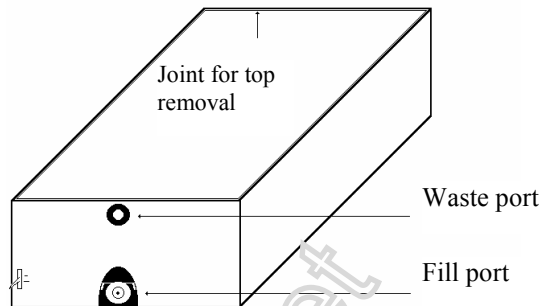


Cartridge:	SO20003 & 7760 & S020010	Cartridge Wt. New:	S02003 Approx 232 g 7760 Approx 322 g
OEM:	Epson	Printer:	EPI 4000, SQ 2500
Printhead Location:	Printer	Cartridge Type:	Reservoir
Reliability:	****	Skill Level:+	Average



© Ausjet Ink Jet Supplies and Service Pty Ltd

Fig. 2.40

COMMENTS

Care should be taken when refilling so as not to puncture plastic lined foil bag inside. Use a premium, filtered ink. The S020003 and 7760 cartridge contains a waste ink pad which must be changed. So long as froth or air is not injected, these cartridges are generally trouble free. Read special Epson section on page 37 first.

REQUIREMENTS

- ◆ 100 ml Appropriate Black Ink
- ◆ 50 ml syringe
- ◆ 18g needle shortened to 19mm
- ◆ 5 micron in line filter

REFILLING METHOD

STEP 1.

For the S02003 and 7760 only: Remove the absorbent pads for cleaning. Slide a sharp pointed knife around the edge of the top surface applying pressure to the blade to crack the welds that hold the lid in place. Remove the lid and take out the plastic bag that holds the paper pad. Make up a clean replacement with a material cut from a disposable nappy/diaper. Refit the pad and replace the lid, holding it in place with four dots of super glue gel. Note: The S020010 cartridge does not have a waste pad.

STEP 2.

Attach needle and filter to empty syringe and insert into cartridge through fill port hole. Take notice of the small pin hole where the printer originally punctured the rubber dam. Insert the needle as close as possible to this point as we do not want to start a new point of entry. Remove syringe leaving needle and filter sticking out of the cartridge. The cartridge should be standing upright.

STEP 3.

Fill syringe with 50 ml of ink. Attach syringe to filter/needle assembly in cartridge and slowly inject the ink. Refill the syringe with a further 50 ml of ink and again inject into the cartridge. **DO NOT INJECT AIR INTO CARTRIDGE.** Now draw back on the syringe to remove any froth or air bubbles until clean ink shows in the syringe. Remove the syringe, filter and ink in one motion so as to leave cartridge free of air.