

Cartridge:	1380620, 13620HC, 1361400, 13400HC	Cartridge Wt. New:	1380620 70 g Black 1361400 60g Grey 13400HC 60g Grey 13620HC 60g Red
OEM:	LEXMARK	Printer:	Lexmark 4076, IBM ExecJet IIc, Lexmark Winwriter 150c, 1000, 1020, 1100, 2030, 2050, 2055, 3000
Printhead Location:	Cartridge	Cartridge Type:	Sponge
Reliability:	* * * *	Skill Level:	Average

Fill here (vent hole)

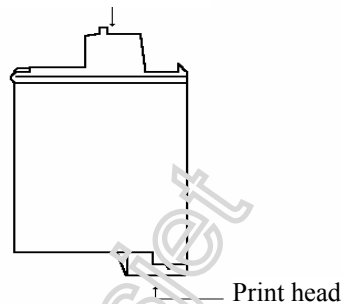


Fig 2.72

© Ausjet Ink Jet Supplies and Service Pty Ltd

COMMENTS

Virtually all the black Lexmark cartridges look the same and fill the same. Only the inks are different. These are black, sponge filled cartridge. Sponge is prone to drying out which may cause it to accept less ink than stated. Wash sponge out with alcohol/distilled water if this occurs. Easy cartridge to refill.

REQUIREMENTS

- ◆ 1380620/13620HC: 20-30 ml Appropriate Black Ink
- ◆ 1361400/13400hc: 20-30 ml Appropriate Black Pigment
- ◆ 50 ml syringe with sharp needle
- ◆ small drill
- ◆ Head sealing tape and or cartridge clip.
- ◆ HSC1000 solution or steam for improved results

REFILLING METHOD

STEP 1.

Wipe the printhead with a clean dry tissue to remove old ink.

STEP 2.

Enlarge the vent hole (see Fig. 2.72) enough to fit a syringe needle.

STEP 3.

Fill syringe with 30 ml ink and insert through central hole into sponge as far as it will go. Inject ink slowly into the Cartridge making sure the needle is sitting on the bottom of the cartridge. The cartridge may not accept more than 15-20 ml of ink. Sit cartridge on paper towel after filling to absorb any drips.

STEP 4.

Use the Ausjet priming tool to remove air locks and prime the cartridge. And then do a DAB test. Place in the printer and run 2-3 cleaning cycles.

STEP 5.

If not printing correctly Soak print head in HSC1000 for 10-20 mins or gently apply steam to remove dried ink from the print head.