

<b>Cartridge:</b>	<b>BC-40</b>	<b>Cartridge Wt. New:</b>	115 g
<b>OEM:</b>	<b>Canon</b>	<b>Printer:</b>	CLC-7, CLC-10
<b>Printhead Location:</b>	Cartridge	<b>Cartridge Type:</b>	Sponge or Sponge/Reservoir
<b>Reliability:</b>	**	<b>Skill Level:</b>	Expert

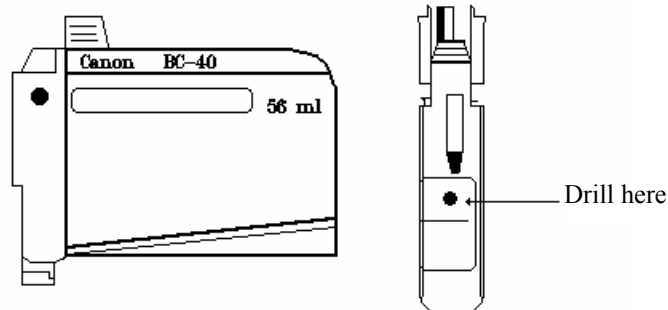


Fig. 2.30

© Ausjet Ink Jet Supplies and Service Pty Ltd

## COMMENTS

These are fairly rare photocopier cartridges. The printer holds 4 cartridges, one each black, cyan, magenta and yellow. There are two different styles of this cartridge. One is all sponge and the newer version is sponge/reservoir. It is unlikely you will come across the older cartridge but the refilling method is included.

## REQUIREMENTS

- ◆ BC-40 Bk: 40 ml Appropriate Black Ink. (Refer to Ausjet Ink Selector)
- ◆ BC-40 C: 40 ml Appropriate Cyan Ink
- ◆ BC-40 M: 40 ml Appropriate Magenta Ink
- ◆ BC-40 Y: 40 ml Appropriate Yellow Ink
- ◆ 50 ml syringe with 18g sharp needle
- ◆ Orange sealing tape

## REFILLING METHOD 1- Sponge/Reservoir (with a ball plug)

### Step 1.

Turn cartridge over and locate ball plug underneath. Press in ball plug. Weigh cartridge to determine correct quantity of ink to install.

### Step 2.

Slowly inject the ink into the reservoir. Seal as quickly as possible to prevent leakage.

## REFILLING METHOD 2—Sponge

### STEP 1.

Drill a 1.5 mm hole, 6.5 mm down from the handle on the top of the cartridge. (See Fig 2.30). Place cartridge on paper towel.

### STEP 2.

Slowly inject 40 ml of the ink colour you are using into the hole you drilled in Step 1. Insert the needle as far as it will go and pull upward slightly as you inject to help displace the ink. Cover hole with tape.